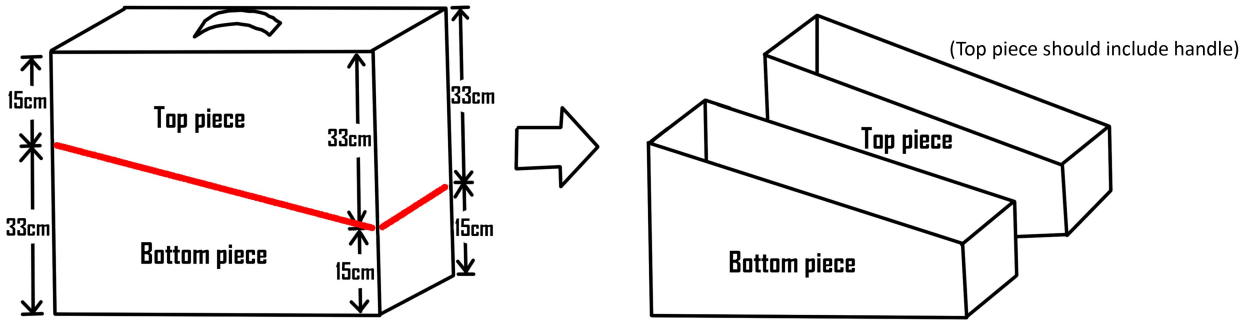
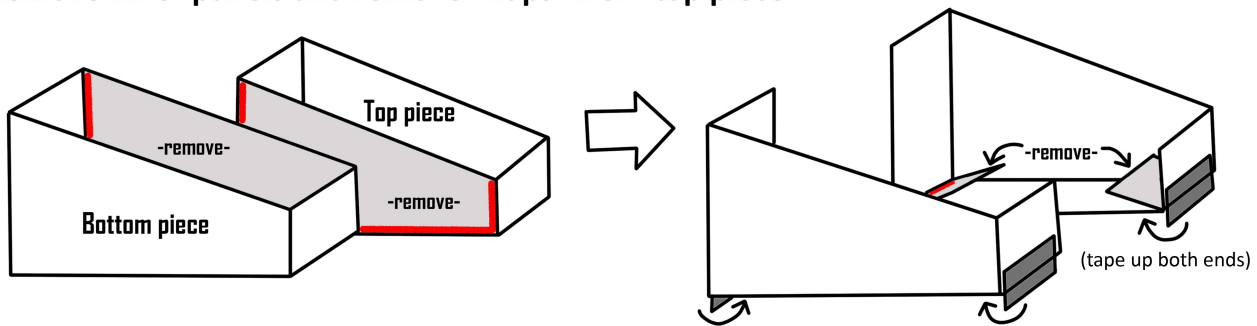


1. Section box into 2 diagonal equal portions (cut dimensions can be adjusted if needed)

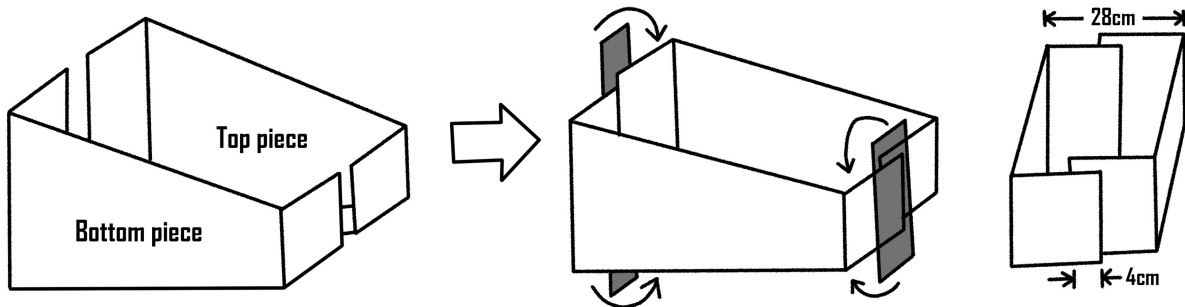


(in case of staple obstruction, dimensions can adjust to 16&32 or 14&34)

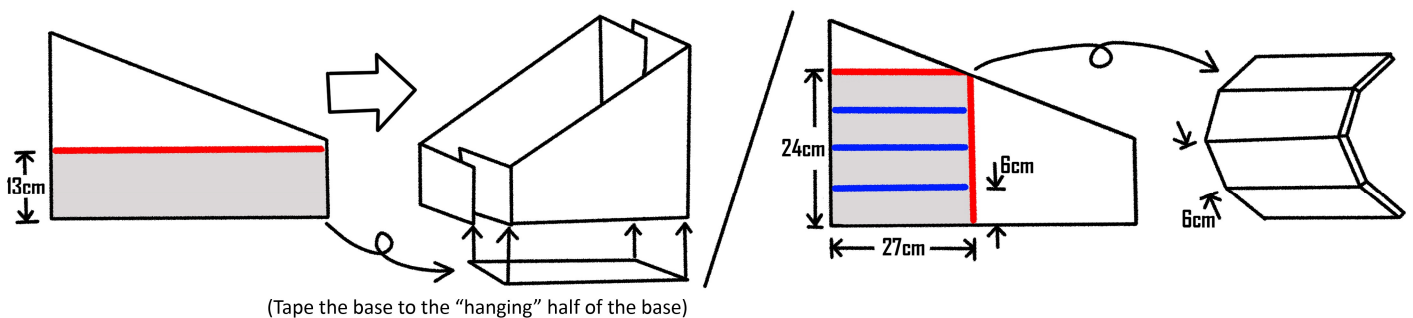
2. Remove inner panels and remove "flaps" from top piece



3. Join the two pieces together, with the top piece being contained by the bottom piece



4. Stabilize the base and make a stopper block using the removed inner panels



5. Construct stopper block and tape it to the "lower end" of the container

