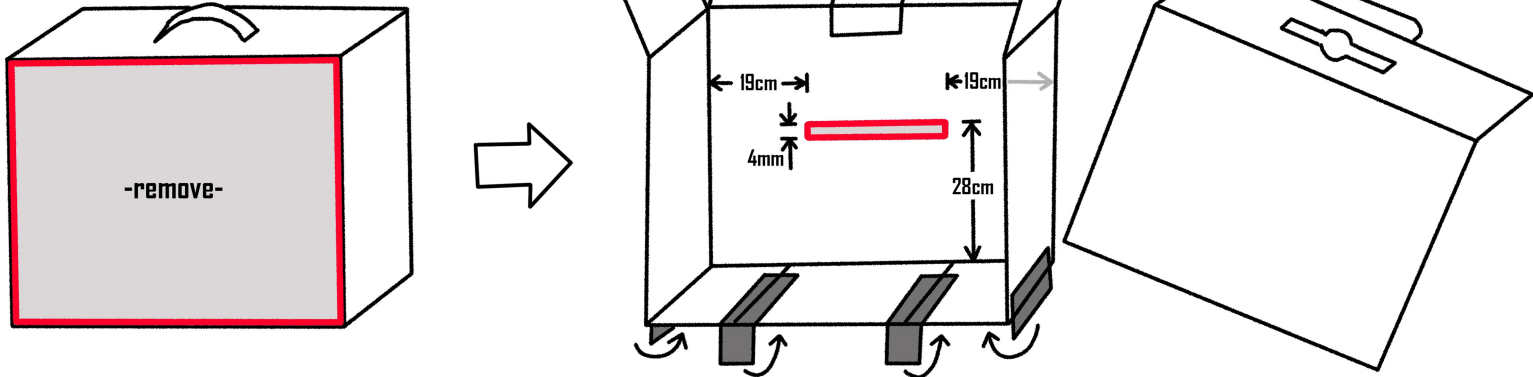
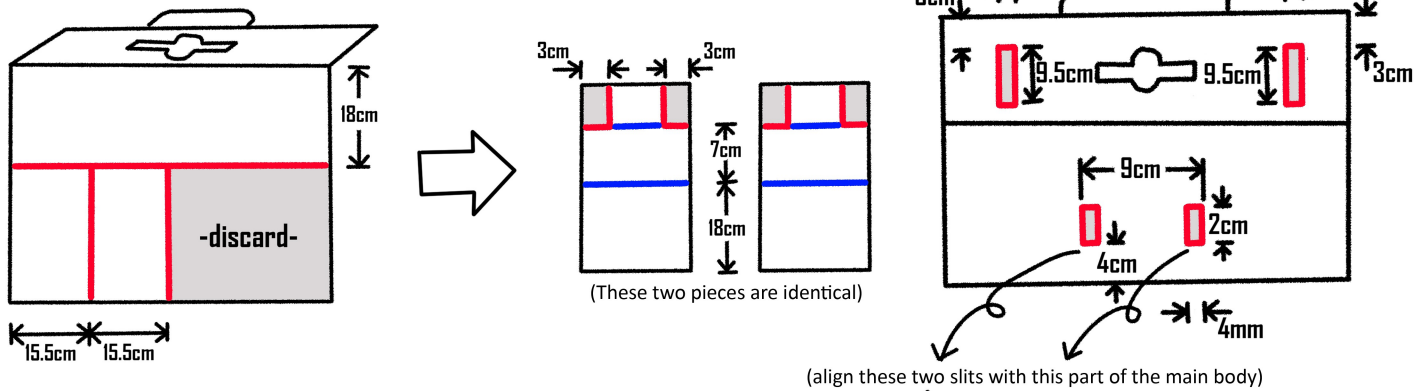


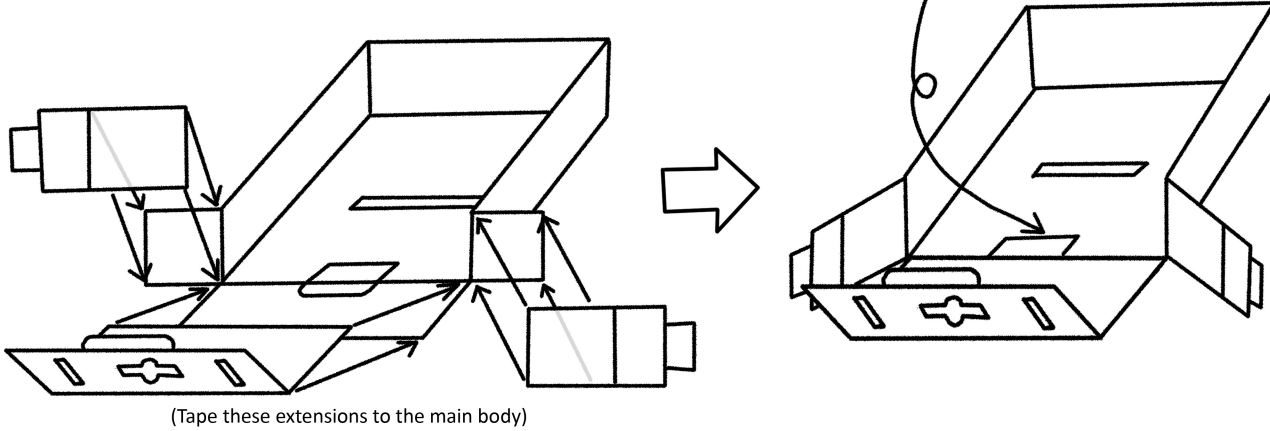
1. Remove front panel



2. Make extensions with the previously removed panel



3. Attach extensions to the main body



4. Construct alternate mode (fold and tab in the central flap to the main body)

